

Electric Chain Hoist



Electric Chain Hoist



CHENG DAY MACHINERY WORKS CO., LTD.



Electric Chain Hoist (Hook Suspension Type)

Motor Housing

- Aluminum alloy casting, features rigid structure and light weight.
- Motor framed with radiant cooling fins, permits 40% (dual speed 40/20%, YSF-series 15%) duty cycle.

Motor Brake

- "Electro-Magnetic Brake Controller" - a unique design in its field, R.O.C. Patent No.27417 features simultaneous braking upon release of P.B. even under full load.

Limit Switch

- Fitted at both top and bottom ends, shuts off power automatically to prevent load chain from running out.

Load Chain

- Grade 80 case hardened alloy steel chain.

Hook

- Hot forged high tensile steel, rigid and durable, 360° swivel, fitting with safety latch to assure safe lifting.

Hoist Bracket

- Double high-tensile alloy steel plate bracket, features rugged and durable construction.

Mechanical Brake

- Advanced design, assures secure braking even under overload. In conjunction with motor brake, features "DOUBLE BRAKE SYSTEM" for safety and durability in hoist operation.

Transformer

- Power to pendant control reduced to 24V or 48V for safer operation.

Magnetic Contactor

- High performance non-fuse circuit breakers allow frequent trouble cycling with free operation.

Phase Error Relay

- A specially designed electric board prevents motor from running at it reverse phased.

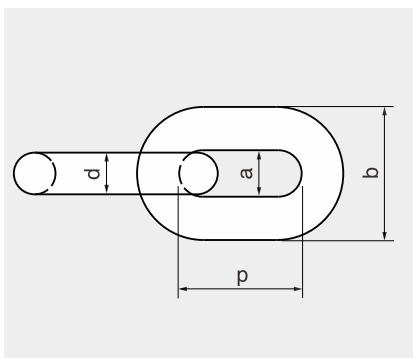
Push Button Pendant

- Offers light and durable switching controls.



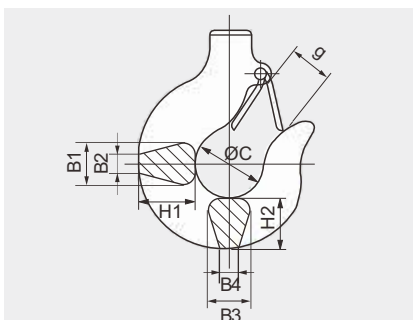
※ For special applications, please contact our company representative or authorized distributor.

Load Chain



| Diameter d(mm) | Model Reference Being Used | Inner Length p(mm) | Inner Width a(mm) | Outer Width b(mm) | Breaking Load (kg) |
|----------------|---|--------------------|-------------------|-------------------|--------------------|
| Φ7.1 | 050-300 YSE YSL YSF YSH YL(H)T | 20.0 | 8.2 | 23.2 | 6300 |
| Φ10.0 | YSS(T)-200 YSS(T)-300 | 30.0 | 12.5 | 33.2 | 12500 |
| Φ11.2 | YSS(T)-250 YSS(T)-500 YSS-750 YSS-1000 YSS-1500 YSS-2000 YSS-3000 | 34.0 | 14.0 | 37.5 | 16000 |

Hook



| Model | Capacity (ton) | T B | Dimensions (mm) | | | | | | | | Allow Stress (kg/mm ²) |
|-----------|----------------|--------|-----------------|-----|-----|-----|----|-----|-----|-----|------------------------------------|
| | | | H1 | B1 | B2 | H2 | B3 | B4 | C | g | |
| YSL,H,E,F | 0.5,1 | T B | 33 | 23 | 9 | 29 | 23 | 9 | 40 | 28 | 70 |
| YSL,H,E,F | 2 | T B | 45 | 31 | 10 | 41 | 31 | 10 | 46 | 36 | 70 |
| YSL,H | 3 | T B | 55 | 34 | 19 | 48 | 34 | 19 | 52 | 40 | 70 |
| YSS | 2,2.5,3 | T B | 55 | 34 | 19 | 48 | 34 | 19 | 52 | 40 | 70 |
| | 5 | T B | 67 | 45 | 23 | 60 | 45 | 23 | 62 | 45 | 70 |
| | 7.5 | B | 75 | 48 | 16 | 68 | 48 | 16 | 75 | 55 | 100 |
| | 10 | B | 100 | 72 | 30 | 95 | 67 | 30 | 100 | 70 | 70 |
| | 15 | B | 120 | 87 | 33 | 110 | 85 | 33 | 120 | 82 | 70 |
| | 20 | B | 140 | 100 | 38 | 130 | 95 | 38 | 140 | 105 | 70 |
| 30 | B | 140 | 98 | 38 | 130 | 94 | 38 | 140 | 105 | 100 | |

● T=Top hook / B=Bottom hook

■ Features of YSE Series:



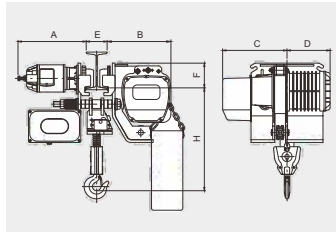
- Direct connection to power supply.
- Slipping clutch provides overload protection.
- No limit switch nor limit spring, reduces headroom.
- Optional low voltage, 24 volt, control available.

| Capacity (ton) | 0.5 | 1 | 2 | |
|------------------------|------------------------------|-----|---------|-----|
| Lift Length (m) | 3 (6) etc. | | | |
| Single Speed (m/min) | 50Hz | 6.7 | 4.7 | 2.3 |
| | 60Hz | 8.0 | 5.6 | 2.8 |
| Motor Power (kw) | 1.5 | | 1.8 | |
| Power Supply | 3 Phase, 220V-600V,50Hz,60Hz | | | |
| E.D Rating (%) | 40 | | | |
| Load Chain Fall Number | 1 | | 2 | |
| N.W./G.W. (kg) | 50.5/53 | | 60.5/63 | |
| Packing LXWXH (cm) | 60X57X33 | | | |
| Msrmnt (cu, ft) | 4 | | | |

■ Features of YLT/YHT/YST Series:



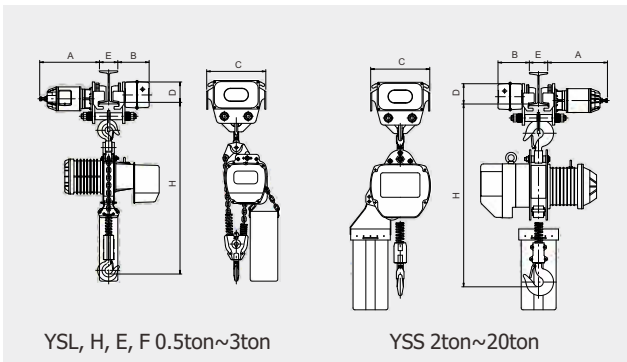
- Specially engineered frame combines hoist and trolley, for specific low headroom applications.
- Reduced headroom provides higher lifting.



- ※YET(D) series of products are only applicable for Europe.
- ※Maximum lifting height : 6M

| Model | Capacity (ton) | Dimension (mm) | | | | | | Hoisting | | | | Traversing | | | |
|----------|----------------|----------------|-----|-----|-----|-----|---------|----------|--------------|---------|----------------|--------------|------|-----------------|--|
| | | H | A | B | C | D | E | F | Speed(m/min) | | Motor kw pole | Speed(m/min) | | Motor kw pole | |
| | | | | | | | | | 50Hz | 60Hz | | 50Hz | 60Hz | | |
| YET-050 | 0.5 | 440 | 327 | 307 | 278 | 241 | 75-125 | 112 | 6.7 | 8.0 | 1.5, 4P | 20 | 24 | 0.25, 4P | |
| YETD-050 | | | | | | 286 | | | 6.7/2.2 | 8.0/2.7 | 1.8/0.6, 4/12P | 20/7 | 24/8 | 0.25/0.8, 4/12P | |
| YET-100 | 1 | 440 | 327 | 307 | 278 | 241 | 75-125 | 112 | 4.7 | 5.6 | 1.5, 4P | 20 | 24 | 0.25, 4P | |
| YETD-100 | | | | | | 286 | | | 4.7/1.6 | 5.6/1.8 | 1.8/0.6, 4/12P | 20/7 | 24/8 | 0.25/0.8, 4/12P | |
| YET-200 | 2 | 520 | 330 | 310 | 311 | 208 | 100-150 | 118 | 2.3 | 2.8 | 1.8, 4P | 20 | 24 | 0.25, 4P | |
| YETD-200 | | | | | | 253 | | | 2.3/0.8 | 2.8/1.0 | 1.8/0.6, 4/12P | 20/7 | 24/8 | 0.25/0.8, 4/12P | |
| YET-300 | 3 | 593 | 335 | 315 | 343 | 176 | 125-175 | 143 | 1.5 | 1.8 | 1.8, 4P | 20 | 24 | 0.6, 4P | |
| YETD-300 | | | | | | 221 | | | 1.5/0.5 | 1.8/0.6 | 1.8/0.6, 4/12P | 20/7 | 24/8 | 0.6/0.2, 4/12P | |
| YLT-050 | 0.5 | 440 | 327 | 307 | 278 | 241 | 75-125 | 112 | 6.7 | 8.0 | 1.5, 4P | 20 | 24 | 0.25, 4P | |
| YLTD-050 | | | | | | 286 | | | 6.7/2.2 | 8.0/2.7 | 1.8/0.6, 4/12P | 20/7 | 24/8 | 0.25/0.8, 4/12P | |
| YLTD-100 | 1 | 440 | 327 | 307 | 278 | 241 | 75-125 | 112 | 4.7 | 5.6 | 1.5, 4P | 20 | 24 | 0.25, 4P | |
| YLTD-100 | | | | | | 286 | | | 4.7/1.6 | 5.6/1.8 | 1.8/0.6, 4/12P | 20/7 | 24/8 | 0.25/0.8, 4/12P | |
| YLT-200 | 2 | 520 | 330 | 310 | 311 | 208 | 100-150 | 118 | 2.3 | 2.8 | 1.8, 4P | 20 | 24 | 0.25, 4P | |
| YLTD-200 | | | | | | 253 | | | 2.3/0.8 | 2.8/1.0 | 1.8/0.6, 4/12P | 20/7 | 24/8 | 0.25/0.8, 4/12P | |
| YLT-300 | 3 | 593 | 335 | 315 | 343 | 176 | 125-175 | 143 | 1.5 | 1.8 | 1.8, 4P | 20 | 24 | 0.6, 4P | |
| YLTD-300 | | | | | | 221 | | | 1.5/0.5 | 1.8/0.6 | 1.8/0.6, 4/12P | 20/7 | 24/8 | 0.6/0.2, 4/12P | |
| YHT-050 | 0.5 | 440 | 327 | 307 | 278 | 241 | 75-125 | 112 | 9.2 | 11 | 1.8, 4P | 20 | 24 | 0.25, 4P | |
| YHTD-050 | | | | | | 286 | | | 9.2/3.1 | 11/3.7 | 1.8/0.6, 4/12P | 20/7 | 24/8 | 0.25/0.8, 4/12P | |
| YHT-100 | 1 | 440 | 327 | 307 | 278 | 241 | 75-125 | 112 | 6.7 | 8.0 | 1.8, 4P | 20 | 24 | 0.25, 4P | |
| YHTD-100 | | | | | | 286 | | | 6.7/2.2 | 8.0/2.7 | 1.8/0.6, 4/12P | 20/7 | 24/8 | 0.25/0.8, 4/12P | |
| YHT-200 | 2 | 520 | 330 | 310 | 311 | 208 | 100-150 | 118 | 3.3 | 4.0 | 1.8, 4P | 20 | 24 | 0.25, 4P | |
| YHTD-200 | | | | | | 253 | | | 3.3/1.1 | 4.0/1.3 | 1.8/0.6, 4/12P | 20/7 | 24/8 | 0.25/0.8, 4/12P | |
| YHT-300 | 3 | 593 | 335 | 315 | 343 | 176 | 125-175 | 143 | 2.2 | 2.6 | 1.8, 4P | 20 | 24 | 0.6, 4P | |
| YHTD-300 | | | | | | 221 | | | 2.2/0.7 | 2.6/0.9 | 1.8/0.6, 4/12P | 20/7 | 24/8 | 0.6/0.2, 4/12P | |
| YST-200 | 2 | 702 | 371 | 443 | 318 | 319 | 125-175 | 143 | 6.7 | 7.9 | 3.7, 4P | 20 | 24 | 0.6, 4P | |
| YSTD-200 | | | | | | 376 | | | 6.7/2.2 | 7.9/2.6 | 3.7/1.2, 4/12P | 20/7 | 24/8 | 0.6/0.2, 4/12P | |
| YST-250 | 2.5 | 724 | 371 | 443 | 318 | 319 | 125-175 | 143 | 5.2 | 6.4 | 3.7, 4P | 20 | 24 | 0.6, 4P | |
| YSTD-250 | | | | | | 376 | | | 5.2/1.7 | 6.4/2.1 | 3.7/1.2, 4/12P | 20/7 | 24/8 | 0.6/0.2, 4/12P | |
| YST-300 | 3 | 765 | 371 | 443 | 274 | 363 | 125-175 | 143 | 4.3 | 5.2 | 3.7, 4P | 20 | 24 | 0.6, 4P | |
| YSTD-300 | | | | | | 420 | | | 4.3/1.4 | 5.2/1.7 | 3.7/1.2, 4/12P | 20/7 | 24/8 | 0.6/0.2, 4/12P | |
| YST-500 | 5 | 805 | 371 | 443 | 265 | 372 | 125-175 | 148 | 2.6 | 3.2 | 3.7, 4P | 20 | 24 | 0.6, 4P | |
| YSTD-500 | | | | | | 429 | | | 2.6/0.9 | 3.2/1.0 | 3.7/1.2, 4/12P | 20/7 | 24/8 | 0.6/0.2, 4/12P | |

■ Dimensions of Hoist with Motorized Trolley

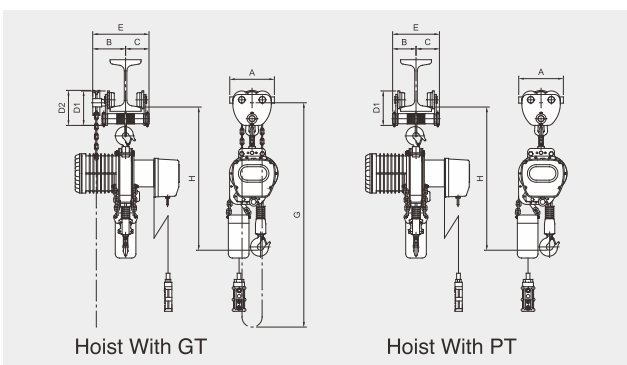


YSL, H, E, F 0.5ton~3ton

YSS 2ton~20ton

| Capacity (ton) | Model | Dimensions(mm) | | | | | | |
|----------------|--------|----------------|------|-----|-----|-----|-----|---------|
| | | H | A | B | C | D | E | |
| YSL, H, E, YSF | 0.5, 1 | MT-050, 100 | 705 | 328 | 173 | 294 | 98 | 75-125 |
| | 2 | MT-200 | 935 | 328 | 173 | 322 | 111 | 100-150 |
| YSL, H | 3 | MT-300 | 1030 | 368 | 180 | 356 | 117 | 125-175 |
| YSS | 2 | MT-200 | 995 | 328 | 173 | 322 | 111 | 100-150 |
| | 2.5 | MT-300 | 1040 | 368 | 180 | 356 | 117 | 125-175 |
| | 3 | MT-300 | 1120 | 368 | 180 | 356 | 117 | 125-175 |
| | 5 | MT-500 | 1200 | 372 | 184 | 386 | 127 | 125-175 |
| | 7.5 | MT-750 | 1300 | 381 | 193 | 454 | 167 | 150-200 |
| | 10 | MT-1000 | 1415 | 471 | 193 | 560 | 205 | 150-200 |
| | 15 | MT-1500 | 1490 | 576 | 212 | 702 | 220 | 190 |
| | 20 | MT-2000 | 1820 | 705 | 211 | 882 | 295 | 200 |

■ Dimensions of Hoist with GT/PT



Hoist With GT

Hoist With PT

| Capacity (ton) | Model | Dimensions(mm) | | | | | | | | Flange Width (mm) | |
|----------------|-------|----------------|------|-----|-------|-------|-----|-----|-----|-------------------|---------|
| | | H | A | B | C | D1 | D2 | E | G | | |
| YSL, H, YSE, F | 0.5 | GT-050 | 710 | 194 | 156 | 110 | 151 | 150 | 266 | 2709 | 50-150 |
| | 0.5 | PT-050 | 710 | 194 | 110 | 110 | 151 | - | 220 | - | 50-150 |
| | 1 | GT-100 | 720 | 217 | 160 | 113.5 | 170 | 167 | 273 | 2719 | 75-150 |
| | 1 | PT-100 | 720 | 217 | 113.5 | 113.5 | 167 | - | 227 | - | 75-150 |
| | 2 | GT-200 | 920 | 247 | 179 | 130 | 224 | 207 | 309 | 3279 | 100-175 |
| | 2 | PT-200 | 920 | 247 | 130 | 130 | 207 | - | 260 | - | 100-175 |
| YSL, H | 3 | GT-300 | 1110 | 270 | 196 | 150 | 241 | 239 | 346 | 3353 | 100-200 |
| | 3 | PT-300 | 1110 | 270 | 150 | 150 | 239 | - | 300 | - | 100-200 |
| YSS | 2 | GT-200 | 1010 | 247 | 179 | 130 | 224 | 207 | 309 | 3279 | 100-175 |
| | 2 | PT-200 | 1010 | 247 | 130 | 130 | 207 | - | 260 | - | 100-175 |
| | 2.5 | GT-300 | 1100 | 270 | 196 | 150 | 241 | 239 | 346 | 3353 | 100-200 |
| | 2.5 | PT-300 | 1100 | 270 | 150 | 150 | 239 | - | 300 | - | 100-200 |
| | 3 | GT-300 | 1175 | 270 | 196 | 150 | 241 | 239 | 346 | 3353 | 100-200 |
| | 3 | PT-300 | 1175 | 270 | 150 | 150 | 239 | - | 300 | - | 100-200 |
| | 5 | GT-500 | 1250 | 310 | 198 | 152 | 235 | 251 | 350 | 3356 | 125-200 |
| | 5 | PT-500 | 1250 | 310 | 151 | 152 | 251 | - | 304 | - | 125-200 |

■ 0.5T, 1T



■ 2T



■ 3T



■ 2T



■ 2.5T



■ 3T



■ 5T



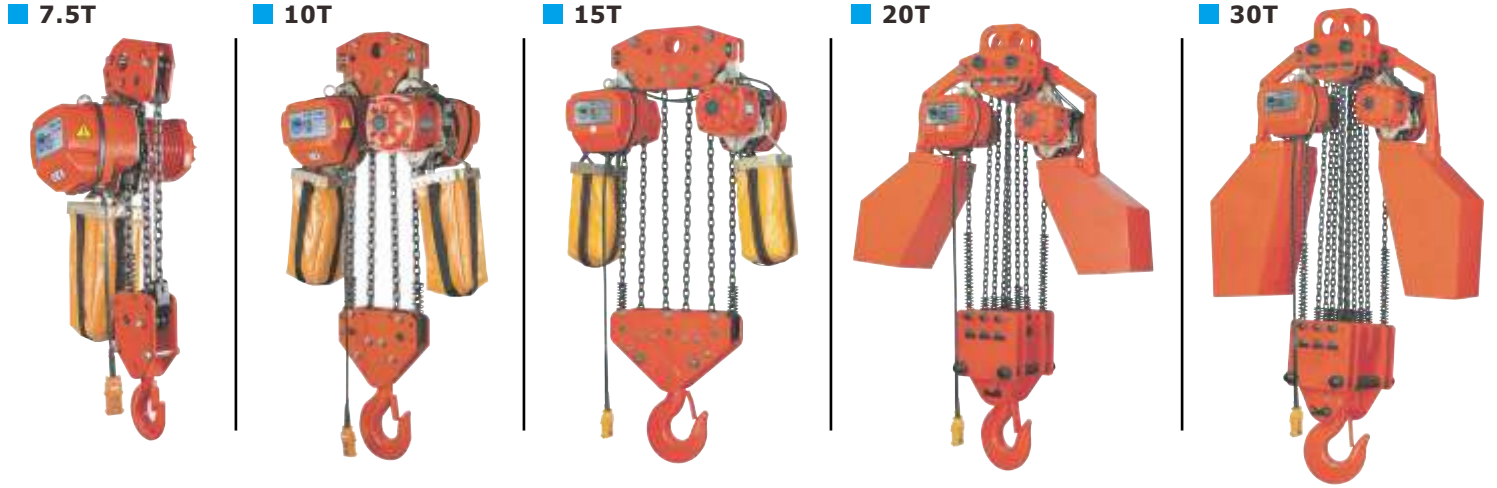
■ Features of Hoist:

- Pendant control voltage transformed into 24V/48V to eliminate possible accident caused by circuit short and assure safe operation in wet environments.
- Automatic motor brake system features simultaneous braking upon power failure or switching off.
- Dual brake system assures safe operation.

■ Specifications:

| Capacity (ton) | | 0.5 | 1 | 2 | 0.5 | 1 | 2 | 0.5 | 1 | 2 | 3 | 2 | 2.5 | 3 | 5 | 7.5 | 10 | 15 | 20 | 30 | | |
|-------------------------|------|-------------------------|---------|---------|-------------------------|---------|-------|---------------------|------------|-----------|---------|---------------------|---------|---------|---------|-----------|-----------|-----------|-------------|-------------|---------|---|
| Lift Height (m) | | 3 (6) etc. | | | | | | | | | | | | | | | | | | | | |
| Load Chain (mm) | | Φ7.1 | | | Φ7.1 | | | Φ7.1 | | | | | Φ10 | Φ11.2 | Φ10 | Φ11.2 | | | | | | |
| Single Speed (m/min) | 50Hz | YSF | 5.6 | 3.9 | 2.0 | 6.7 | 4.7 | 2.3 | - | - | - | - | - | - | - | - | - | - | - | - | - | - |
| | | YSL | - | - | - | - | - | - | 6.7 | 4.7 | 2.3 | 1.5 | - | - | - | - | - | - | - | - | - | - |
| | | YSH | - | - | - | - | - | - | (9.2) | (6.7) | 3.3 | 2.2 | - | - | - | - | - | - | - | - | - | - |
| | | YSS | - | - | - | - | - | - | - | - | - | - | 6.6 | 5.2 | 4.3 | 2.6 | 1.8 | 2.6 | 1.8 | 1.3 | 0.9 | |
| | 60Hz | YSF | 6.7 | 4.7 | 2.3 | 8.0 | 5.6 | 2.8 | - | - | - | - | - | - | - | - | - | - | - | - | - | |
| | | YSL | - | - | - | - | - | - | 8.0 | 5.6 | 2.8 | 1.8 | - | - | - | - | - | - | - | - | - | |
| | | YSH | - | - | - | - | - | - | (11.0) | (8.0) | 4.0 | 2.6 | - | - | - | - | - | - | - | - | - | |
| | | YSS | - | - | - | - | - | - | - | - | - | - | 7.9 | 6.4 | 5.2 | 3.2 | 2.1 | 3.2 | 2.1 | 1.5 | 1.1 | |
| Dual Speed (m/min) | 50Hz | YSLD | - | - | - | - | - | - | (6.7/2.2) | (4.7/1.6) | 2.3/0.8 | 1.5/0.5 | - | - | - | - | - | - | - | - | - | |
| | | YSHD | - | - | - | - | - | - | (9.2/3.1) | (6.7/2.2) | 3.3/1.1 | 2.2/0.7 | - | - | - | - | - | - | - | - | - | |
| | | YSSD | - | - | - | - | - | - | - | - | - | - | 6.6/2.2 | 5.2/1.7 | 4.3/1.4 | 2.6/0.9 | 1.8/0.6 | 2.6/0.9 | 1.8/0.6 | 1.3/0.43 | 0.9/0.3 | |
| | 60Hz | YSLD | - | - | - | - | - | - | (8.0/2.7) | (5.6/1.8) | 2.8/1.0 | 1.8/0.6 | - | - | - | - | - | - | - | - | - | |
| | | YSHD | - | - | - | - | - | - | (11.0/3.7) | (8.0/2.7) | 4.0/1.3 | 2.6/0.9 | - | - | - | - | - | - | - | - | - | |
| | | YSSD | - | - | - | - | - | - | - | - | - | - | 7.9/2.6 | 6.4/2.0 | 5.2/1.7 | 3.2/1.0 | 2.1/0.7 | 3.2/1.0 | 2.1/0.7 | 1.5/0.5 | 1.1/0.4 | |
| Motor Power (kw) | | 1.8 | | | 1.8 | | | 1.5(1.8) | | 1.8 | | 3.7 | | | | 3.7X2 | | 5.0X2 | | | | |
| Motor Power (kw) | | - | | | - | | | 1.8/0.6 | | | | 3.7/1.2 | | | | 3.7/1.2X2 | | 5.0/1.7X2 | | | | |
| Power Supply | | Single Phase 110V, 115V | | | Single Phase 220V, 230V | | | 3 Phase, 220V- 600V | | | | 3 Phase, 220V- 600V | | | | | | | | | | |
| E.D. Rating (%) | | 15 | | | 15 | | | 40 | | | | 40 | | | | | | | | | | |
| Load Chain Fall Number | | 1 | 2 | 1 | 2 | 1 | 2 | 3 | 1 | 2 | 3 | 4 | 6 | 8 | 12 | | | | | | | |
| N.W./G.W. (kg) | | 55/58.5 | 64.5/67 | 55/58.5 | 65/67 | 50.5/53 | 61/64 | 73/96 | 125/155 | 130/160 | 140/170 | 153/183 | 195/230 | 410/470 | 510/580 | 890/990 | 1035/1135 | | | | | |
| Packing LXWXH (cm) | | 60X57X33 | | | 60X57X33 | | | 60X57X33 | | 62X52X50 | | 73X57X51 | | | | 73X70X70 | 86X80X75 | 140X85X97 | 170X105X167 | 175X110X185 | | |
| Msrmt (Cu.ft) | | 4 | | | 4 | | | 4 | | 5.7 | | 7.5 | | | | 12.63 | 18.23 | 40.8 | 105.3 | 125.8 | | |

※Dual speed E.D. Rating = 40/20%

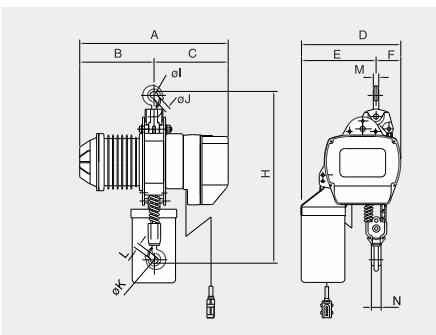


- Limit switches hold load chain from running out.
- Advanced phase error relay keeps motor motionless at incorrect power connection.
- Optional emergency stop features available.
- Optional electronic overload protection available.

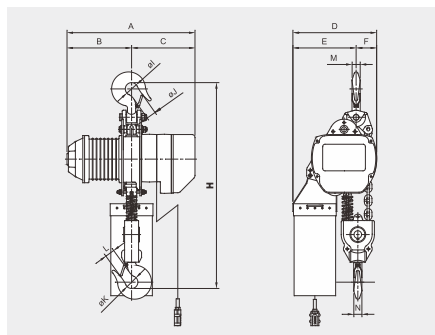
■ Specifications:

| Capacity (ton) | Model | Dimensions (mm) | | | | | | | | | | | | | | | | | | | |
|----------------|------------------|-----------------|------|-----|------|-------|-------|-----|------|-------|-------|-----|------|-----|-----|----|----|-----|----|-----|----|
| | | H | | A | | | | B | | | | C | D | E | F | I | J | K | L | M | N |
| 0.5 | YSL, H, E, F-050 | 595 | E560 | 505 | F548 | LD548 | HD548 | 245 | F288 | LD288 | HD288 | 260 | 240 | 115 | 125 | 40 | 28 | 40 | 28 | 23 | 23 |
| 1 | YSL, H, E, F-100 | 595 | E560 | 505 | F548 | LD548 | HD548 | 245 | F288 | LD288 | HD288 | 260 | 240 | 115 | 125 | 40 | 28 | 40 | 28 | 23 | 23 |
| 2 | YSL, H, E, F-200 | 745 | E710 | 505 | F548 | LD548 | HD548 | 245 | F288 | LD288 | HD288 | 260 | 240 | 175 | 65 | 46 | 36 | 46 | 36 | 31 | 31 |
| 3 | YSL, H-300 | 880 | - | 505 | - | LD548 | HD548 | 245 | - | LD288 | HD288 | 260 | 280 | 175 | 105 | 52 | 43 | 52 | 43 | 34 | 34 |
| 2 | YSS-200 | 835 | - | 640 | - | - | SD689 | 326 | - | - | SD375 | 314 | 448 | 278 | 170 | 52 | 43 | 52 | 43 | 34 | 34 |
| 2.5 | YSS-250 | 880 | - | 640 | - | - | SD689 | 326 | - | - | SD375 | 314 | 448 | 278 | 170 | 52 | 43 | 52 | 43 | 34 | 34 |
| 3 | YSS-300 | 960 | - | 640 | - | - | SD689 | 326 | - | - | SD375 | 314 | 448 | 340 | 108 | 52 | 43 | 52 | 43 | 34 | 34 |
| 5 | YSS-500 | 1030 | - | 640 | - | - | SD689 | 326 | - | - | SD375 | 314 | 448 | 356 | 92 | 62 | 45 | 62 | 45 | 45 | 45 |
| 7.5 | YSS-750 | 1150 | - | 640 | - | - | SD689 | 326 | - | - | SD375 | 314 | 587 | 388 | 199 | 72 | 40 | 75 | 57 | 84 | 48 |
| 10 | YSS-1000 | 1270 | - | 640 | - | - | SD689 | 326 | - | - | SD375 | 314 | 970 | 485 | 485 | 72 | 40 | 100 | 68 | 92 | 60 |
| 15 | YSS-1500 | 1365 | - | 679 | - | - | SD724 | 365 | - | - | SD410 | 314 | 1360 | 680 | 680 | 80 | 40 | 120 | 90 | 169 | 85 |
| 20 | YSS-2000 | 1950 | - | 866 | - | - | SD866 | 433 | - | - | SD433 | 433 | 1472 | 736 | 736 | 82 | 82 | 140 | 95 | 164 | 95 |
| 30 | YSS-3000 | 2000 | - | 924 | - | - | SD924 | 462 | - | - | SD462 | 462 | 1472 | 736 | 736 | 92 | 92 | 140 | 95 | 221 | 95 |

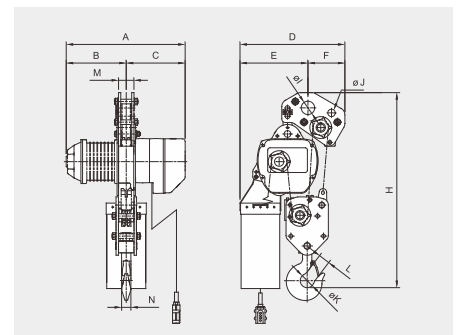
■ Dimensions of Hook Suspension Type Hoist:



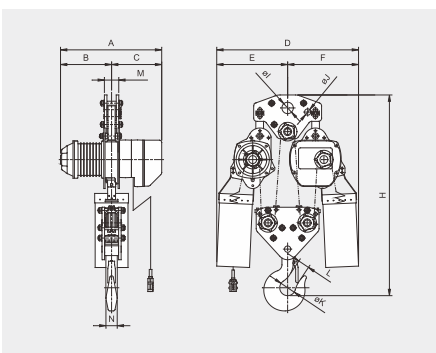
YSL, YSH, YSE, YSF, YSS



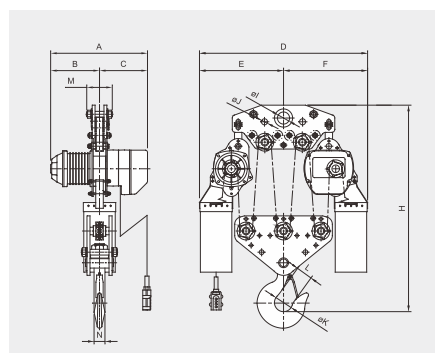
YSS-500



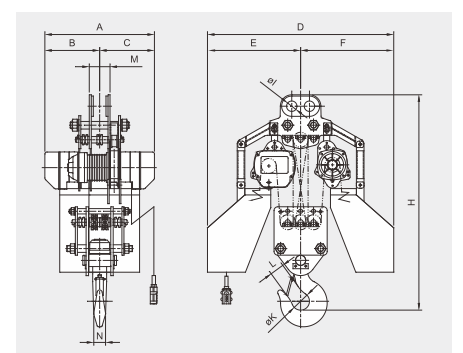
YSS-750



YSS-1000



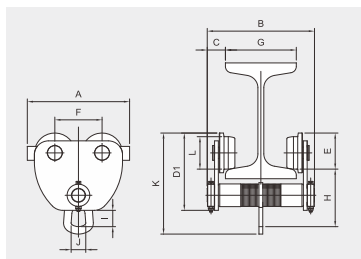
YSS-1500



YSS-2000, YSS-3000

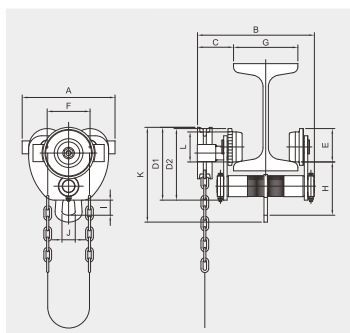
Trolley

● Plain Trolley (PT)



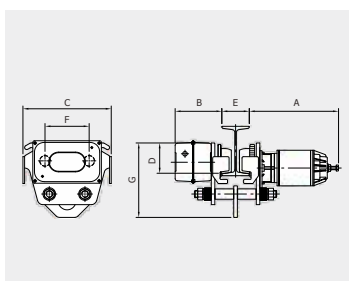
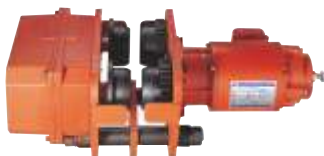
| Dimensions (mm) | | | | | | | | | | | | | | | |
|-----------------|---------|-----|-----|----|-----|-----|-----|-----|-----|----|-----|-----|----------------|-----------|-------------------------|
| Capacity (ton) | Model | A | B | C | D1 | E | F | H | I | J | K | L | Flange Width G | N.W. (kg) | Min radius of curve (m) |
| 0.5 | PT-050 | 194 | 220 | 35 | 151 | 69 | 89 | 115 | 33 | 28 | 198 | 60 | 50-150 | 6.4 | 1.0m |
| 1 | PT-100 | 217 | 227 | 39 | 167 | 78 | 100 | 124 | 35 | 31 | 218 | 70 | 75-150 | 10.6 | 1.0m |
| 2 | PT-200 | 247 | 260 | 43 | 207 | 91 | 116 | 171 | 55 | 56 | 284 | 80 | 100-175 | 16.8 | 1.3m |
| 3 | PT-300 | 270 | 300 | 50 | 239 | 103 | 130 | 215 | 79 | 60 | 353 | 90 | 100-200 | 25.8 | 1.5m |
| 5 | PT-500 | 310 | 304 | 52 | 251 | 117 | 140 | 218 | 84 | 60 | 370 | 100 | 125-200 | 32.6 | 1.6m |
| 7.5 | PT-750 | 368 | 343 | 72 | 292 | 135 | 184 | 260 | 103 | 76 | 435 | 120 | 150-200 | 59.5 | 2.2m |
| 10 | PT-1000 | 398 | 350 | 75 | 322 | 152 | 197 | 275 | 105 | 76 | 467 | 140 | 150-200 | 81.4 | 2.2m |

● Geared Trolley (GT)



| Dimensions (mm) | | | | | | | | | | | | | | | | |
|-----------------|---------|-----|-----|-----|-----|-----|-----|-----|-----|-----|----|-----|-----|----------------|-----------|-------------------------|
| Capacity (ton) | Model | A | B | C | D1 | D2 | E | F | H | I | J | K | L | Flange Width G | N.W. (kg) | Min radius of curve (m) |
| 0.5 | GT-050 | 194 | 266 | 81 | 150 | 151 | 69 | 89 | 115 | 33 | 28 | 198 | 60 | 50-150 | 8.8 | 1.0m |
| 1 | GT-100 | 217 | 273 | 85 | 170 | 167 | 78 | 100 | 124 | 35 | 31 | 221 | 70 | 75-150 | 13.5 | 1.0m |
| 2 | GT-200 | 247 | 309 | 91 | 224 | 207 | 91 | 116 | 171 | 55 | 56 | 301 | 80 | 100-175 | 19.8 | 1.3m |
| 3 | GT-300 | 270 | 346 | 96 | 241 | 239 | 103 | 130 | 215 | 79 | 60 | 355 | 90 | 100-200 | 30.3 | 1.5m |
| 5 | GT-500 | 310 | 350 | 98 | 235 | 251 | 117 | 140 | 218 | 84 | 60 | 370 | 100 | 125-200 | 37 | 1.6m |
| 7.5 | GT-750 | 368 | 382 | 110 | 280 | 292 | 135 | 184 | 260 | 103 | 76 | 435 | 120 | 150-200 | 64 | 2.2m |
| 10 | GT-1000 | 398 | 389 | 114 | 301 | 322 | 152 | 197 | 275 | 105 | 76 | 467 | 140 | 150-200 | 86 | 2.2m |

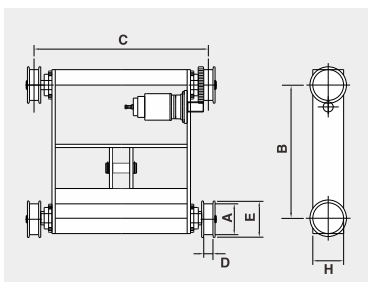
● Monorail Motorized Trolley (MT)



| Dimensions (mm) | | | | | | | | | | | | | | |
|-----------------|---------|-----|-----|-----|-----|---------|-----|-----|--------------|--------|------------|----------|-------------------------|-----------|
| Capacity (ton) | Model | A | B | C | D | E | F | G | Speed(m/min) | | Motor (kw) | Pole (P) | Min radius of curve (m) | N.W. (kg) |
| | | | | | | | | | 50Hz | 60Hz | | | | |
| 1 | MT-100 | 328 | 173 | 294 | 98 | 75-125 | 149 | 246 | 20 | 24, 16 | 0.25, 0.17 | 4, 6 | 1.3 | 40 |
| | 20/7 | | | | | | | | 24/8 | | | | | |
| 2 | MT-200 | 328 | 173 | 322 | 111 | 100-150 | 161 | 272 | 20 | 24, 16 | 0.25, 0.17 | 4, 6 | 1.5 | 45 |
| | 20/7 | | | | | | | | 24/8 | | | | | |
| 3 | MT-300 | 368 | 180 | 356 | 117 | 125-175 | 172 | 297 | 20 | 24, 16 | 0.6, 0.4 | 4, 6 | 1.8 | 65 |
| | 20/7 | | | | | | | | 24/8 | | | | | |
| 5 | MT-500 | 372 | 184 | 386 | 127 | 125-175 | 183 | 320 | 20 | 24, 16 | 0.6, 0.4 | 4, 6 | 2.0 | 89 |
| | 20/7 | | | | | | | | 24/8 | | | | | |
| 7.5 | MT-750 | 380 | 193 | 454 | 167 | 150-200 | 229 | 400 | 13 | 16 | 0.9 | 6 | 3.0 | 155 |
| | 13/6.5 | | | | | | | | 16/8 | | | | | |
| 10 | MT-1000 | 471 | 193 | 560 | 205 | 150-200 | 278 | 450 | 15 | 18 | 1.5 | 4 | 3.5 | 218 |
| | 15/5 | | | | | | | | 18/6 | | | | | |
| 15 | MT-1500 | 576 | 212 | 702 | 220 | 190 | 360 | 520 | 12 | 14 | 1.5 | 4 | - | 350 |
| | 12/4 | | | | | | | | 14/4.6 | | | | | |
| 20 | MT-2000 | 705 | 211 | 882 | 295 | 200 | 440 | 604 | 12 | 15 | 2.2 | 4 | - | 575 |
| | 12/4 | | | | | | | | 15/5 | | | | | |

MT-100~500: 50Hz uses 4P motor ; 60Hz uses 4P or 6P motor
(Please specify as ordering 6P motor)

● Motor Saddle Trolley (MST)



| Dimensions (mm) | | | | | | | | | | | | |
|-----------------|-----------|--------------|--------|-----|-----|------|----|-----|-------|------------|----------|-----------|
| Capacity (ton) | Model | Speed(m/min) | | A | B | C | D | E | H | Motor (kw) | Pole (P) | N.W. (kg) |
| | | 50Hz | 60Hz | | | | | | | | | |
| 1 | MST-100 | 20 | 19 | 120 | 580 | 700 | 40 | 147 | 122.5 | 0.25 | 4 | 94 |
| | MSTD-100 | 20/6.7 | 19/6.3 | | | | | | | | | |
| 2 | MST-200 | 20 | 19 | 120 | 580 | 700 | 40 | 147 | 122.5 | 0.25 | 4 | 94 |
| | MSTD-200 | 20/6.7 | 19/6.3 | | | | | | | | | |
| 3 | MST-300 | 18 | 22 | 150 | 650 | 850 | 45 | 178 | 155 | 0.4 | 4 | 182 |
| | MSTD-300 | 18/6 | 22/7.3 | | | | | | | | | |
| 5 | MST-500 | 18 | 22 | 150 | 650 | 850 | 45 | 178 | 155 | 0.6 | 6 | 182 |
| | MSTD-500 | 18/9 | 22/11 | | | | | | | | | |
| 7.5 | MST-750 | 19 | 23 | 160 | 800 | 1000 | 50 | 187 | 225 | 0.9 | 4 | 306 |
| | MSTD-750 | 19/6.3 | 23/7.7 | | | | | | | | | |
| 10 | MST-1000 | 21 | 20 | 215 | 800 | 1200 | 50 | 246 | 327.5 | 0.9-2pcs | 4 | 504 |
| | MSTD-1000 | 21/7 | 20/6.7 | | | | | | | | | |

MST-100 — 50Hz with pinion of M3.5x15T
MST-200 — 50Hz with pinion of M3.5x12T
MST-1000 — 50Hz with pinion of M3.5x15T
MST-300 — 50Hz/60Hz with pinion of M3.5x13T
MST-500 — 50Hz/60Hz with pinion of M3.5x20T
MST-750 — 50Hz/60Hz with pinion of M3.5x15T

Federation Europeenne De La Manutention

| Load spectrum | Cubic mean value Definitions | Average operating time per day in hours | | | | | | | |
|--|---|---|-------------|-----------|----------|-------|------|------|------|
| | | 0.25-0.5 | 0.5-1 | 1-2 | 2-4 | 4-8 | 8-16 | > 16 | |
| 1 (light) | ($k \leq 0.50$) Mechanisms or parts thereof, usually subject to very small loads and in exceptional cases only to maximum loads. | 0.25-0.5 | 0.5-1 | 1-2 | 2-4 | 4-8 | 8-16 | > 16 | |
| 2 (medium) | ($0.50 < k \leq 0.63$) Mechanisms or parts thereof, usually subject to small loads but rather often to maximum loads. | 0.12-0.25 | 0.25-0.5 | 0.5-1 | 1-2 | 2-4 | 4-8 | 8-16 | > 16 |
| 3 (heavy) | ($0.63 < k \leq 0.80$) Mechanisms or parts thereof, usually subject to medium loads but frequently to maximum loads. | ≤ 0.12 | 0.12-0.25 | 0.25-0.5 | 0.5-1 | 1-2 | 2-4 | 4-8 | 8-16 |
| 4 (very heavy) | ($0.80 < k \leq 1$) Mechanisms or parts thereof, usually subject to maximum or almost to maximum loads. | | ≤ 0.12 | 0.12-0.25 | 0.25-0.5 | 0.5-1 | 1-2 | 2-4 | 4-8 |
| Classification of Mechanisms FEM 9.511 | | 1 Dm | 1 Cm | 1 Bm | 1 Am | 2 m | 3 m | 4 m | 5 m |

ISO/FEM (9.511)

Classification of mechanisms:

| | | | | | | | |
|------|------|------|------|-----|-----|-----|-----|
| 1 Dm | 1 Cm | 1 Bm | 1 Am | 2 m | 3 m | 4 m | 5 m |
| M 1 | M 2 | M 3 | M 4 | M 5 | M 6 | M 7 | M 8 |

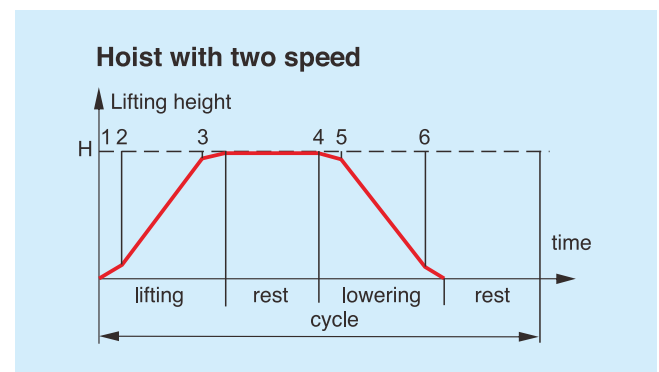
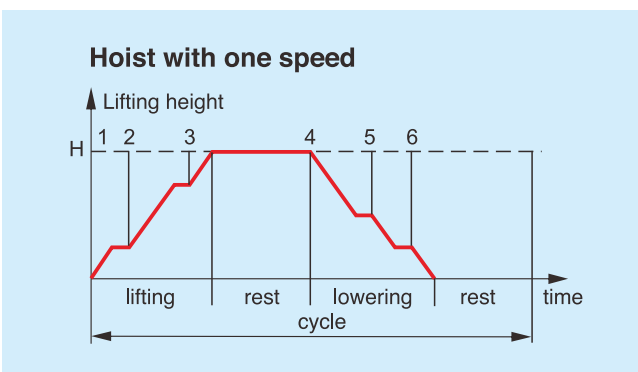
Classification of mechanisms into groups:

| Load spectrum | Cubic mean value | Class of operation time | | | | | | | | | |
|---------------|------------------|---|-------------|------------|----------|----------|----------|----------|-----------|------|-----|
| | | V0.06 | V0.12 | V0.25 | V0.5 | V1 | V2 | V3 | V4 | V5 | |
| | | TO | T1 | T2 | T3 | T4 | T5 | T6 | T7 | T8 | |
| | | Average operating time per day in hours | | | | | | | | | |
| | | ≤ 0.12 | ≤ 0.25 | ≤ 0.5 | ≤ 1 | ≤ 2 | ≤ 4 | ≤ 8 | ≤ 16 | > 16 | |
| 1 | L1 | $k \leq 0.50$ | | | 1 Dm | 1 Cm | 1 Bm | 1 Am | 2 m | 3 m | 4 m |
| 2 | L2 | $0.50 < k \leq 0.63$ | | 1 Dm | 1 Cm | 1 Bm | 1 Am | 2 m | 3 m | 4 m | 5 m |
| 3 | L3 | $0.63 < k \leq 0.80$ | 1 Dm | 1 Cm | 1 Bm | 1 Am | 2 m | 3 m | 4 m | 5 m | |
| 4 | L4 | $0.80 < k \leq 1.00$ | 1 Cm | 1 Bm | 1 Am | 2 m | 3 m | 4 m | 5 m | | |

Class of operating time:

| Class of operation time | Average operating time per day (in hours) | Calculated total operating time in hours |
|-------------------------|---|--|
| V0.06 T0 | ≤ 0.12 | 200 |
| V0.12 T1 | ≤ 0.25 | 400 |
| V0.25 T2 | ≤ 0.5 | 800 |
| V0.5 T3 | ≤ 1 | 1600 |
| V1 T4 | ≤ 2 | 3200 |
| V2 T5 | ≤ 4 | 6300 |
| V3 T6 | ≤ 8 | 12500 |
| V4 T7 | ≤ 16 | 25000 |
| V5 T8 | > 16 | 50000 |

Operation Cycle



CHENG DAY MACHINERY WORKS CO., LTD.

No. 173, Wen Chiu Rd., Dajia Dist., Taichung City 437, Taiwan.

Tel: +886-4-2688-1581 Fax: +886-4-2688-1509

Website: www.chengday.com.tw E-mail: info@chengday.com.tw

- Revision of April, 2014 (Edition No.32) #950102
- No further notice while sizes and dimensions update; Quotations are based on practical dimensions.
- Due to the printing factors, the color of the products is subject to minor deviation from the physical objects.