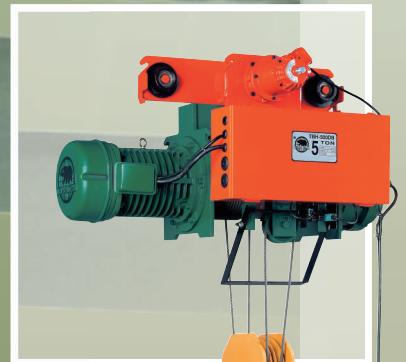


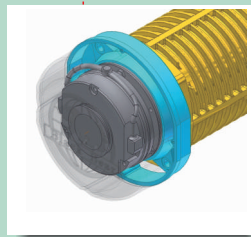


ELECTRIC WIRE ROPE HOIST



DC Brake

New design of DC brake electromagnetic motor disc system works precisely and synchronously with motors, and with a rectifier for trouble free.

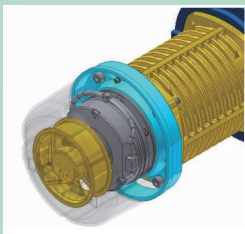


DC BRAKE

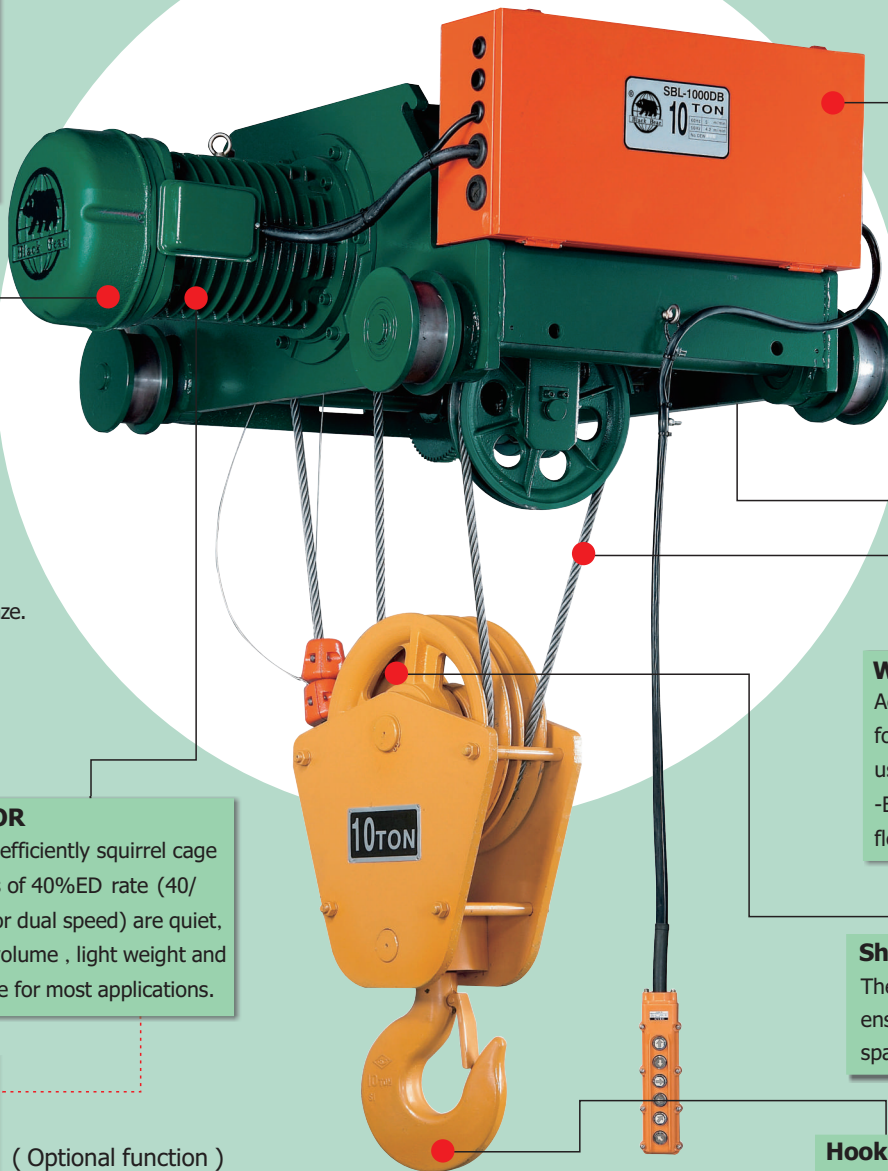
1. Take on Germany supplier, Lenze.
2. Durable wear-resisting.
3. Rapid reaction with low noise.
4. Installation convenient as an integral design.

MOTOR

Highly efficiently squirrel cage motors of 40%ED rate (40/20% for dual speed) are quiet, small volume, light weight and suitable for most applications.



(Optional function)
A 60%ED rate motor with cooling fan is available for heavy duty condition.



Control box

IP-20 control box is applied; Higher IP degree is available upon request.

Gear box

Hoist reduction gear system are made of alloy steel with surface harden treatment for long lasting life span.

Wire rope

According to JIS no.6 standard for wire rope applications, we use 6x37-A and IWRC 6xFi (29)-B wire rope which features flexible and long life span.

Sheave

The proper diameter of sheave ensures the operation and life span of wire rope.

Hook

Hot forged hooks with thrust bearing are enable to be swiveled 360°

PRODUCT CODE

T

Model

T : MONORAIL TROLLEY
S : SADDLE TROLLEY
F : FOOTMOUNT

B

Gear box

P : 2.2kw x 4P
K : 3kw x 4P
G : 5kw x 4P
B : 7.5~11kw x 4P
CA : 11~13kw x 4P
EA : 13kw x 4P
FA : 18.5kw x 4P

H

Reeving/Falling

N:1/1 H:2/4
M:1/2 I:2/6
L:1/4 J:2/8
P:1/6 K:2/10

D

Blank:single speed
D : Only hoist dual speed
D1 : Only trolley dual speed
D2 : Both hoist & trolley dual speed

-

500

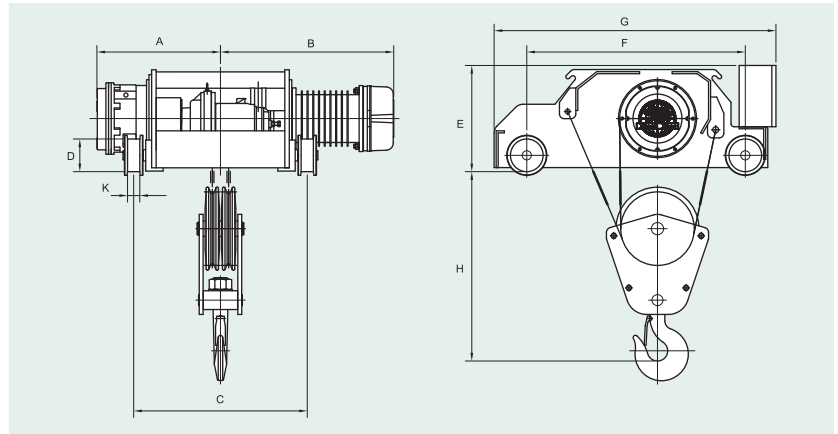
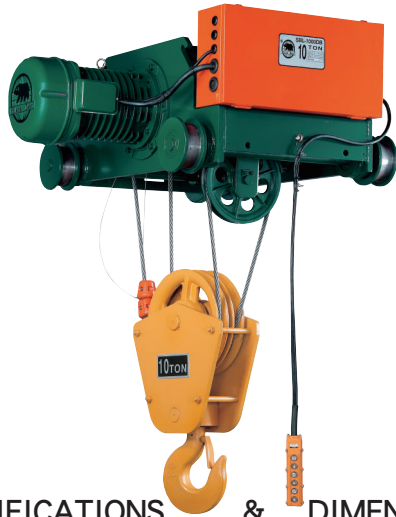
S.W.L.

100 : 1ton
200 : 2ton
300 : 3ton
500 : 5ton
750 : 7.5ton
1000 : 10ton
1500 : 15ton
2000 : 20ton
3000 : 30ton

DB

DC BRAKE

SB.SC.SE SERIES



SPECIFICATIONS & DIMENSIONS :

Model	Capacity (ton)	Lift (m)	Hoisting				Traversing				Wire Rope		Approximate Dimension (mm)										Approximate Weight (kg)				
			Speed(m/min)		Motor kw pole	ED %		Speed(m/min)		Motor kw pole	ED %		mm	R/F	H	A		B		C	D	E		F	G	K	
			60Hz	50Hz		Single	Dual	60Hz	50Hz		Single	Dual				Single	Dual	Single	Dual			Single					Dual
SBH-500DB	5	6	7.3	6.1	7.5 4P	40	40/20	21	18	0.75 4P	40	40/20	10	2/4	750	553	722	875	850	150	545	545	690	988	45	680	
SBHD-500DB		9	7.3/2.4	6.1/2.0	7.5/2.5 4/12P	21/7	18/6	0.75/0.25 4/12P	603	772	925	850				690											
SBH-750DB		6	7.3	6.1	11 4P	40	40/20	20	17	1.1 4P	40	40/20				1200	608	867	929							850	880
SBHD-750DB	7.5	9	7.3/2.4	6.1/2.0	11/3.7 4/12P	20/6	17/6	1.1/0.37 4/12P	743	1002	1064	1150	1050														
SBL-1000DB		6	5.0	4.2	11 4P	40	40/20	15	13	1.1 4P	40	40/20	1300	833	1092	1154	1300	1250									
SBLD-1000DB		9	5.0/1.7	4.2/1.4	11/3.7 4/12P	15/5	13/4	1.1/0.37 4/12P	605	849	911	850	1070														
SCAH-1000DB	10	6	5.1	4.3	11 4P	40	40/20	17	14	1.1 4P	40	40/20	1500	702	849	911	850	1290									
SCAHD-1000DB		9	5.1/1.7	4.3/1.4	11/3.7 4/12P	17/6	14/5	1.1/0.37 4/12P	817	964	1026	1150	1430														
SEAL-1500DB		8	4.4	3.7	13 4P	40	40/20	18	15	1.5 4P	40	40/20	1550	690	969	969	1150	1550									
SEALD-1500DB	15	10	4.4/1.5	3.7/1.2	13/4.3 4/12P	18/6	15/5	1.5/0.5 4/12P	735	1014	1014	1150	2000														
SCAL-2000DB		8	3.2	2.7	4P	18	15	1.5 4P	801	1080	1080	1300	1950														
SCALD-2000DB		10	3.2/1.1	2.7/0.9	13/4.3 4/12P	18/6	15/5	1.5/0.5 4/12P	706	969	969	1150	1950														
	20	12	3.2/1.1	2.7/0.9	13/4.3 4/12P	18/6	15/5	1.5/0.5 4/12P	806	1014	1014	1150	2080														
		12	872	1080	1080	1300	200	715	715	1160	1500	60	2230														

1.R/F=Reeving/falling numbers.

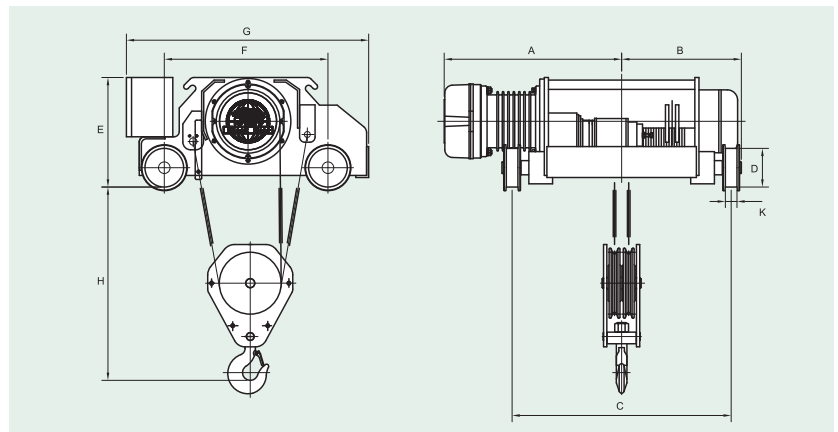
2.Dual speed model under green shadow.

3.Traversing pinion 5 ton M3.5x23t, 7.5 ton M3.5x20t, 10-20 ton M3.5x23t.

4.Traversing motor standard supply, 50 Hz or 60Hz all used 4 pole, or please specify.

5.Traversing motor: used reducing gear motor.

SK.SG SERIES



SPECIFICATIONS & DIMENSIONS :

Model	Capacity (ton)	Lift (m)	Hoisting				Traversing				Wire Rope		Approximate Dimension (mm)										Approximate Weight (kg)			
			Speed(m/min)		Motor kw pole	ED %		Speed(m/min)		Motor kw pole	ED %		mm	R/F	H	A		B	C	D	E			F	G	K
			60Hz	50Hz		Single	Dual	60Hz	50Hz		Single	Dual				Single	Dual				Single	Dual				
SKM-200DB	2	6	8	6.7	3 4P	40	40/20	20	17	0.25 4P	40	40/20	10	1/2	600	679	679	401	600	120	390	460	615	923	40	420
SKMD-200DB		9	8/2.7	6.7/2.2	3/1 4/12P	20/6	17/6	0.25/0.08 4/12P	679	679	401	600				440										
SKH-200DB		6	8	6.7	3 4P	40	40/20	20	17	0.25 4P	40	40/20				1200	701	701	462							850
SKHD-200DB	2	9	8/2.7	6.7/2.2	3/1 4/12P	20/6	17/6	0.25/0.08 4/12P	788	788	509	850	470													
SKL-300DB		6	4.4	3.7	3 4P	40	40/20	21	18	0.4 4P	40	40/20	650	874	874	612	1150	490								
SKLD-300DB		9	4.4/1.5	3.7/1.2	3/1 4/12P	21/7	18/6	0.4/0.13 4/12P	729	729	465	850	500													
SGM-300DB	3	6	8	6.7	5 4P	40	40/20	21	18	0.4 4P	40	40/20	750	677	760	477	850	490								
SGMD-300DB		9	8/2.7	6.7/2.2	5/1.7 4/12P	21/7	18/6	0.4/0.13 4/12P	677	760	477	850	500													
SGH-300DB		12	8/2.7	6.7/2.2	5/1.7 4/12P	21/7	18/6	0.4/0.13 4/12P	779	862	579	850	510													
SGHD-300DB	3	6	8	6.7	5 4P	40	40/20	21	18	0.4 4P	40	40/20	750	729	812	529	850	520								
SGM-300DB		9	8/2.7	6.7/2.2	5/1.7 4/12P	21/7	18/6	0.4/0.13 4/12P	802	885	602	850	580													
SGH-300DB		12	8/2.7	6.7/2.2	5/1.7 4/12P	21/7	18/6	0.4/0.13 4/12P	919	1002	719	1150	610													
SGL-500DB	5	6	4.4	3.7	4P	21	18	0.75 4P	729	812	529	850	570													
SGLD-500DB		9	4.4/1.5	3.7/1.2	5/1.7 4/12P	21/7	18/6	0.75/0.25 4/12P	802	885	602	850	590													
		12	919	1002	719	1150	150	495	545	725	1030	45	630													

1.R/F=Reeving/falling numbers.

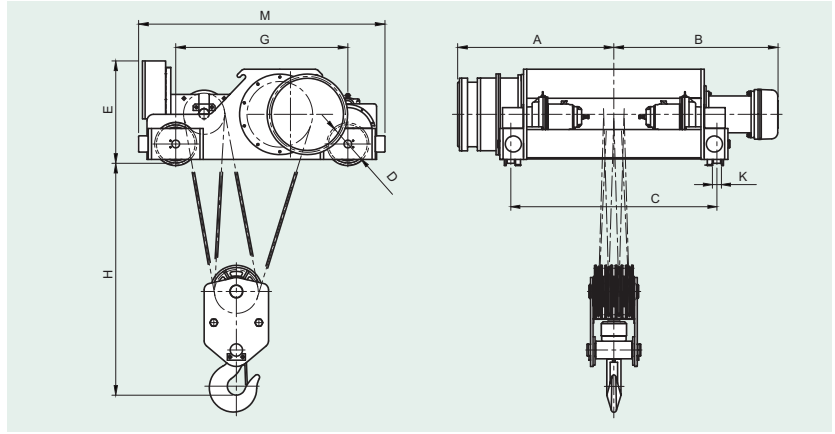
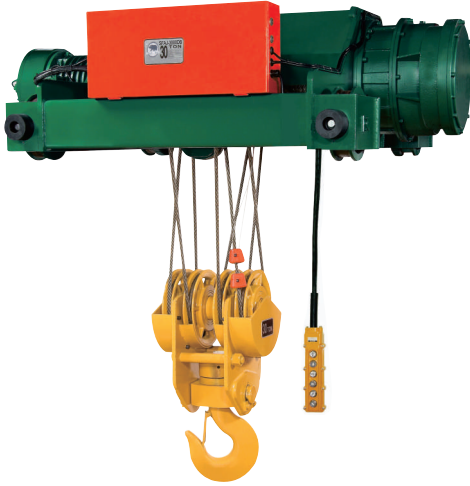
2.Dual speed model under green shadow.

3.Traversing pinion 2 ton M3.5x15t, 3-5 ton, M3.5x23t.

4.Traversing motor standard supply, 50 Hz or 60Hz all used 4 pole, or please specify.

5.Traversing motor: 2 ton used planetary reducing gear motor, 3-5 ton used reducing gear motor.

SF SERIES

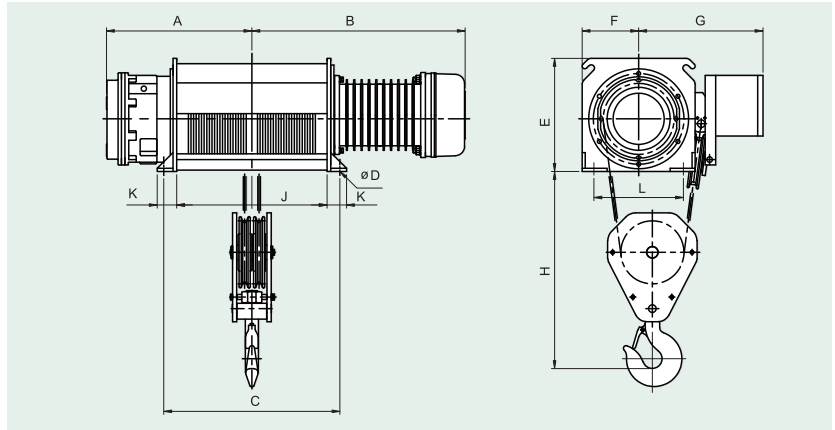


SPECIFICATIONS & DIMENSIONS :

Model	Capacity (ton)	Lift (m)	Hoisting				Traversing				Wire Rope		Approximate Dimension (mm)										Approximate Weight (kg)			
			Speed (m/min)		Motor kw pole		ED %		Speed (m/min)		Motor kw pole		ED %		§ mm	R/F	H	A	B		C	D		E	G	K
			60Hz	50Hz	Single	Dual	60Hz	50Hz	Single	Dual	Single	Dual					Single	Dual								
SFAH-1500DB	15	8	6.1	5.1	1.5 4P		18	15	1.5 4P		40	40/20	§ 18	2/4	1600	1007	1069	1187	1150		200	725	1150	60	1475	2115
SFAHD-1500DB		10	6.1/2.0	5.1/1.7	1.8.5/6.2 4/12P	40	40/20	18/6	15/5	1.5/0.5 4/12P	40	40/20	§ 18	2/4	1600	1053	1115	1233	1400							2351
		12														1093	1155	1273	1400							2528
SFAJ-3000DB	30	8	3.0	2.5	1.8.5 4P	40	40/20	21	17.5	1.5X2 4P	40	40/20	§ 18	2/8	1800	1113	1175	1293	1400		300	795	1336	70	1912	2500
SFAJD-3000DB		10	3.0/1.0	2.5/0.8	1.8.5/6.2 4/12P	40	40/20	21/7	17.5/5.8	1.5/0.5X2 4/12P	40	40/20	§ 18	2/8	1800	1213	1275	1393	1600							2725
		12														1313	1375	1493	1800							2950

- 1.R/F=Reeving/falling numbers.
- 2.Dual speed model under green shadow.
- 3.Traversing pinion M4x18t.
- 4.Traversing motor standard supply, 50 Hz or 60Hz all used 4 pole, or please specify.
- 5.Traversing motor: used reducing gear motor.

FP.FK.FG.FB SERIES

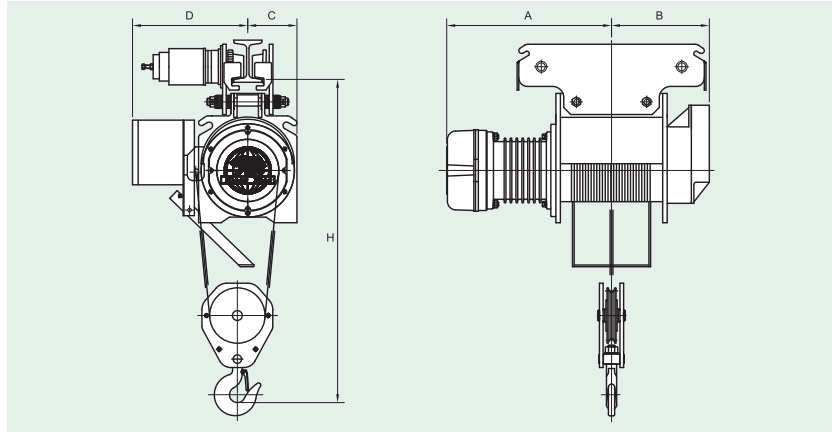


SPECIFICATIONS & DIMENSIONS :

Model	Capacity (ton)	Lift (m)	Hoisting				Wire Rope		Approximate Dimension (mm)										Approximate Weight (kg)				
			Speed (m/min)		Motor kw pole		ED %		§ mm	R/F	H	A	B	C	D	E	F	G		J	K	L	
			60Hz	50Hz	Single	Dual	Single	Dual															
FPM-100DB	1	6	10.8	9	2.2 4P	40	§ 8	1/2	650	314	540	467	§ 16	310	150	450	373	72	280	205			
		364								590	567	215											
		414								640	667	225											
		464								690	767	235											
		348								627	466	319											
FKM-200DB	2	6	8	6.7	3 4P	40	§ 10	1/2	1150	401	679	571	§ 16	390	232	420	477	72	260	339			
		453								732	676	359											
		506								785	781	379											
		422								701	614	359											
		509								788	788	399											
FKH-200DB	2	6	8	6.7	3 4P	40	§ 8	2/4	1150	596	874	961	§ 16	390	232	433	694	72	260	439			
		682								961	1134	479											
		435								635	482	330											
		477								676	565	350											
		579								862	770	370											
FGM-300DB	3	6	8	6.7	5 4P	40	§ 12	1/2	1250	634	917	880	§ 16	430	185	430	782	74	280	390			
		450								729	670	350											
		523								801	815	390											
		640								918	1049	430											
		733								1012	1235	470											
FKL-300DB	3	6	4.4	3.7	3 4P	40	§ 10	1/4	1100	529	729	670	§ 16	360	275	443	572	74	310	330			
		602								802	815	365											
		719								919	1049	395											
		814								1014	1235	425											
		529								729	670	413											
FGH-300DB	3	6	8	6.7	5 4P	40	§ 10	2/4	1250	602	802	815	§ 16	430	185	443	572	74	280	365			
		719								919	1049	395											
		814								1014	1235	425											
		529								729	670	413											
		602								802	815	433											
FGL-500DB	5	6	4.4	3.7	5 4P	40	§ 10	1/4	1100	805	1004	1221	§ 16	430	285	453	1123	74	330	473			
		553								722	670	483											
		603								772	770	523											
		743								912	1049	603											
		838								1007	1239	633											

- 1.R/F=Reeving/falling numbers.

TP.TK.TG SERIES



SPECIFICATIONS & DIMENSIONS :

Model	Capacity (ton)	Lift (m)	Hoisting				Traversing				Wire Rope		Approximate Dimension (mm)							Approximate Weight (kg)					
			Speed (m/min)		Motor kw pole	ED %		Speed (m/min)		Motor kw pole	ED %		H	A		B	C		D		Adjust for Std. I-Beam (mm)				
60Hz	50Hz	Single	Dual	60Hz		50Hz	Single	Dual	Single		Dual	Single		Dual	Single		Dual	Single	Dual	Single		Dual	Single	Dual	
TPM-100DB	1	6	10.8	9	2.2 4P	40	40/20	24	20	0.25 4P	40	40/20	§ 8	1/2	1050	540	621	314	210	210	380	380	75-125	246	
		9	10.8/3.6	9/3	2.2/0.73 4/12P			24/8	20/6	0.25/0.08 4/12P						590	671	364							256
		12	6.7	3 4P	24			20	0.25 4P	640						721	414	266							
TKM-200DB	2	6	8	6.7	3 4P	40	40/20	24	20	0.25 4P	40	40/20	§ 10	1/2	1150	627	627	350	232	232	410	410	100-150	370	
		9	8/2.7	6.7/2.2	3/1 4/12P			24/8	20/6	0.25/0.08 4/12P						679	679	403							390
		12	6.7	3 4P	24			20	0.25 4P	732						732	455	410							
TKH-200DB	2	6	8	6.7	3 4P	40	40/20	24	20	0.25 4P	40	40/20	§ 8	2/4	1150	701	701	422	232	232	433	433	100-150	400	
		9	8/2.7	6.7/2.2	3/1 4/12P			24/8	20/6	0.25/0.08 4/12P						788	788	509							420
		12	6.7	3 4P	24			20	0.25 4P	874						874	596	440							
TKLD-300DB	3	6	4.4	3.7	3 4P	40	40/20	18	15	0.6 4P	40	40/20	§ 10	1/4	1150	729	729	518	275	275	443	443	125-175	410	
		9	4.4/1.5	3.7/1.2	3/1 4/12P			18/6	15/5	0.6/0.2 4/12P						801	801	523							450
		12	3.7	3 4P	18			15	0.6 4P	918						918	640	490							
TGM-300DB	3	6	8	6.7	5 4P	40	40/20	18	15	0.6 4P	40	40/20	§ 12	1/2	1200	635	718	435	185	210	430	455	125-175	410	
		9	8/2.7	6.7/2.2	5/1.7 4/12P			18/6	15/5	0.6/0.2 4/12P						677	760	477							430
		12	6.7	3 4P	18			15	0.6 4P	779						862	579	450							
TGMD-300DB	3	6	8	6.7	5 4P	40	40/20	18	15	0.6 4P	40	40/20	§ 10	2/4	1200	729	812	529	185	210	443	468	125-175	390	
		9	8/2.7	6.7/2.2	5/1.7 4/12P			18/6	15/5	0.6/0.2 4/12P						802	885	602							425
		12	6.7	3 4P	18			15	0.6 4P	919						1002	719	450							
TGH-300DB	3	6	8	6.7	5 4P	40	40/20	18	15	0.6 4P	40	40/20	§ 10	2/4	1200	729	812	564	300	300	468	468	125-175	540	
		9	4.4	3.7	5 4P			18/6	15/5	0.6/0.2 4/12P						802	885	602							560
		12	4.4/1.5	3.7/1.2	5/1.7 4/12P			18/6	15/5	0.6/0.2 4/12P						919	1002	719							560

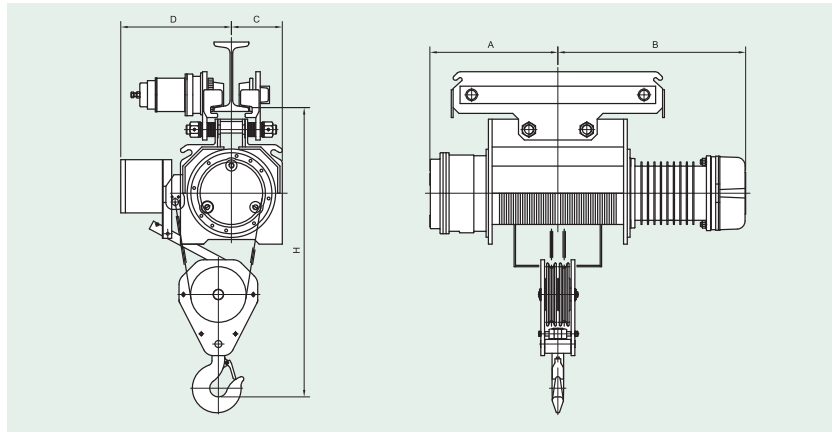
1.R/F=Reeving/falling numbers.

2.Dual speed model under green shadow.

3.Traversing pinion 2 ton M3.5x16t, 3-5 ton M3.5x12t.

4.Traversing motor standard supply, 50 Hz or 60Hz all used 4 pole, or please specify.

TB SERIES



SPECIFICATIONS & DIMENSIONS :

Model	Capacity (ton)	Lift (m)	Hoisting				Traversing				Wire Rope		Approximate Dimension (mm)							Adjust for Std. I-Beam (mm)	Approximate Weight (kg)				
			Speed (m/min)		Motor kw pole	ED %		Speed (m/min)		Motor kw pole	ED %		H	A	B		C		D						
60Hz	50Hz	Single	Dual	60Hz		50Hz	Single	Dual	Single		Dual	Single			Dual	Single	Dual	Single	Dual	Single	Dual	Single	Dual		
TBH-500DB	5	6	7.3	6.1	7.5 4P	40	40/20	18	15	0.6 4P	40	40/20	§ 10	2/4	1250	553	722	875	220	255	488	513	125-175	590	
		9	7.3/2.4	6.1/2.0	7.5/2.5 4/12P			18/6	15/5	0.6/0.2 4/12P						603	772	925							710
		12	6.1	1.1 4P	20			17	1.1 4P	608						867	929	990							
TBHD-500DB	7.5	6	7.3	6.1	1.1 4P	40	40/20	20	17	1.1 4P	40	40/20	§ 14	2/4	2000	743	1002	1064	240	240	612	612	150-200	1020	
		9	7.3/2.4	6.1/2.0	1.1/3.7 4/12P			20/6	17/6	1.1/0.37 4/12P						833	1092	1075							1060
		12	6.1	1.1 4P	18			15	1.1 4P	605						849	911	970							
TBL-1000DB	10	6	5.0	4.2	1.1 4P	40	40/20	18	15	1.1/0.37 4/12P	40	40/20	§ 16	1/4	2000	673	917	979	340	340	640	725	150-200	1000	
		9	5.0/1.7	4.2/1.4	1.1/3.7 4/12P			18/6	15/5	0.75x2 4/12P						673	917	979							1020
		12	4.2	1.1 4P	18			15	0.75x2 4/12P	773						1017	1079	585							625

1.R/F=Reeving/falling numbers.

2.Dual speed model under green shadow.

3.Traversing pinion 5 ton M3.5x12t, 7.5 ton M3.5x20t, 10 ton M3.5x23t.

4.Traversing motor standard supply, 50 Hz or 60Hz all used 4 pole, or please specify.

5.Traversing motor: 5 ton used planetary reducing gear motor, 7-10 ton used reducing gear motor.

PRODUCT GUIDE

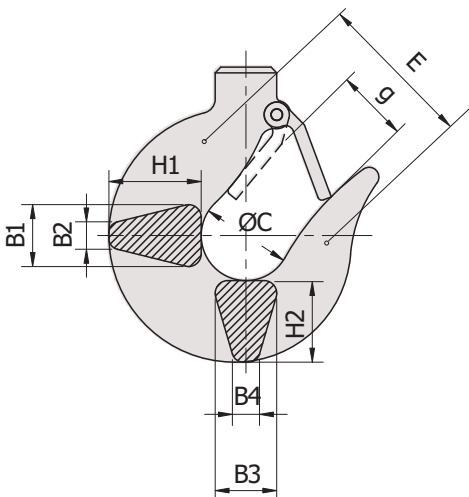
Capacity (ton)	Monorail High Speed	Crab High Speed	Footmount High Speed	Monorail Low Speed	Crab Low Speed	Footmount Low Speed	Dual Speed
1	TPM-100DB		FPM-100DB				TPMD-100DB
2	TKM-200DB	SKM-200DB	FKM-200DB				TKMD-200DB SKMD-200DB
2	TKH-200DB	SKH-200DB	FKH-200DB				TKHD-200DB SKHD-200DB
3	TGM-300DB	SGM-300DB	FGM-300DB	TKL-300DB	SKL-300DB	FKL-300DB	TGMD-300DB SGMD-300DB TKLD-300DB SKLD-300DB
3	TGH-300DB	SGH-300DB	FGH-300DB				TGHD-300DB SGHD-300DB
5	TBH-500DB	SBH-500DB	FBH-500DB	TGL-500DB	SGL-500DB	FGL-500DB	TBHD-500DB SBHD-500DB TGLD-500DB SGLD-500DB
7.5	TBH-750DB	SBH-750DB					TBHD-750DB SBHD-750DB
10		SCAH-1000DB		TBL-1000DB	SBL-1000DB		SCAHD-1000DB SBLD-1000DB TBLD-1000DB
15		SFAH-1500DB			SEAL-1500DB		SEALD-1500DB SFAHD-1500DB
20					SCAL-2000DB		SCALD-2000DB
30					SFAJ-3000DB		SFAJD-3000DB

WIRE ROPE



Rope Dia (mm) d	Mode Being Used	Construction	Specified Breaking Load (kg)
§ 8	TPM-100DB FPM-100DB TKH-200DB SKH-200DB FKH-200DB	6x37-A	34
	TKL-300DB SKL-300DB FKL-300DB TGH-300DB SGH-300DB FGH-300DB		53.1
§ 10	TKM-200DB SKM-200DB FKM-200DB	IWRC 6xFi(29)-B	67.7
	TGL-500DB SGL-500DB FGL-500DB TBH-500DB SBH-500DB FBH-500DB	IWRC 6xP.Fi(29)-H	84
§ 12	TGM-300DB SGM-300DB FGM-300DB	IWRC 6xFi(29)-B	97.7
§ 14	TBH-750DB SBH-750DB	6x37-H	123
§ 16	TBL-1000DB SBL-1000DB SCAH-1000DB	6x37-H	161
§ 18	SFAH-1500DB SFAJ-3000DB	IWRC 6xFi(29)-H	234
§ 20	SEAL-1500DB		289
		SCAL-2000DB	IWRC 6xP.Fi(29)-H

HOOK



Mode	Capacity (ton)	Dimension (mm)									Tensile Stress (kg/mm ²)	Hook Block Weight (kg)
		H1	B1	B2	H2	B3	B4	C	g	E		
T;FPM	1	33	23	9	29	23	9	40	27	55	70	10
T;F;SKM	2	45	31	10	41	31	10	45	33	70	70	30
T;F;SKH												
T;F;SGM	3(2.8)	57	38	12	52	38	12	60	42	100	70	40
T;F;SKL												
T;F;SGH	5	75	48	16	68	48	16	75	56	105	70	50
T;F;SGL												50
T;F;SBH												60
T;SBH	7.5	85	61	22	77	61	22	85	62	140	70	90
T;SBL	10	100	70	28	95	65	28	100	70	130	70	150
SCAH												140
SEAL	15	120	85	32	110	83	32	120	82	167	70	220
SFAH												
SCAL	20	140	100	38	130	95	38	140	105	220	70	290
SFAJ	30	140	98	38	130	94	38	140	105	220	100	420



POWER SUPPLY :

- ▲ Electric wire rope hoist suits majority of the 3-Phase power in different countries, available in 50Hz or 60Hz, voltage from 220V up to 600V.
- ▲ Dual-volt hoist subject to our confirmation.

PUSH BUTTON SWITCH :

- ▲ 2-point type : up and down.
- ▲ 4-point type : up and down ; left and right (trolley).
- ▲ 6-point type : up and down ; left and right ; forward and reverse (end carrier)

LIFTING HEIGHT :

- ▲ Standard lifting height : Please refer to specifications.
- ▲ Optional height available upon request.

FEDERATION EUROPEENNE DE LA MANUTENTION

Load spectrum	Cubic mean value Definitions	Average operating time per day in hours							
		0.25-0.5	0.5-1	1-2	2-4	4-8	8-16	> 16	
1 (light)	($k \leq 0.50$) Mechanisms or parts thereof, usually subject to very small loads and in exceptional cases only to maximum loads.	0.25-0.5	0.5-1	1-2	2-4	4-8	8-16	> 16	
2 (medium)	($0.50 < k \leq 0.63$) Mechanisms or parts thereof, usually subject to small loads but rather often to maximum loads.	0.12-0.25	0.25-0.5	0.5-1	1-2	2-4	4-8	8-16	> 16
3 (heavy)	($0.63 < k \leq 0.80$) Mechanisms or parts thereof, usually subject to medium loads but frequently to maximum loads.	≤ 0.12	0.12-0.25	0.25-0.5	0.5-1	1-2	2-4	4-8	8-16
4 (very heavy)	($0.80 < k \leq 1$) Mechanisms or parts thereof, usually subject to maximum or almost to maximum loads.		≤ 0.12	0.12-0.25	0.25-0.5	0.5-1	1-2	2-4	4-8
Classification of Mechanisms FEM 9.511		1 Dm	1 Cm	1 Bm	1 Am	2 m	3 m	4 m	5 m

ISO/FEM (9.511)

Classification of mechanisms:

1 Dm	1 Cm	1 Bm	1 Am	2 m	3 m	4 m	5 m
M 1	M 2	M 3	M 4	M 5	M 6	M 7	M 8

Classification of mechanisms into groups:

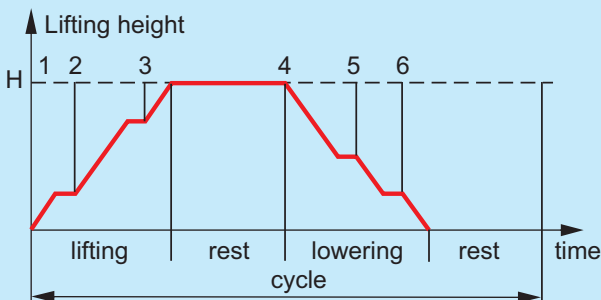
Load spectrum	Cubic mean value	Class of operation time									
		V0.06	V0.12	V0.25	V0.5	V1	V2	V3	V4	V5	
		TO	T1	T2	T3	T4	T5	T6	T7	T8	
		Average operating time per day in hours									
		≤ 0.12	≤ 0.25	≤ 0.5	≤ 1	≤ 2	≤ 4	≤ 8	≤ 16	> 16	
1	L1	$k \leq 0.50$			1 Dm	1 Cm	1 Bm	1 Am	2 m	3 m	4 m
2	L2	$0.50 < k \leq 0.63$		1 Dm	1 Cm	1 Bm	1 Am	2 m	3 m	4 m	5 m
3	L3	$0.63 < k \leq 0.80$	1 Dm	1 Cm	1 Bm	1 Am	2 m	3 m	4 m	5 m	
4	L4	$0.80 < k \leq 1.00$	1 Cm	1 Bm	1 Am	2 m	3 m	4 m	5 m		

Class of operating time:

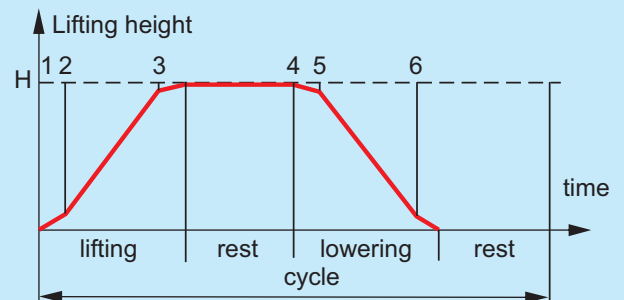
Class of operation time	Average operating time per day (in hours)	Calculated total operating time in hours
V0.06 T0	≤ 0.12	200
V0.12 T1	≤ 0.25	400
V0.25 T2	≤ 0.5	800
V0.5 T3	≤ 1	1600
V1 T4	≤ 2	3200
V2 T5	≤ 4	6300
V3 T6	≤ 8	12500
V4 T7	≤ 16	25000
V5 T8	> 16	50000

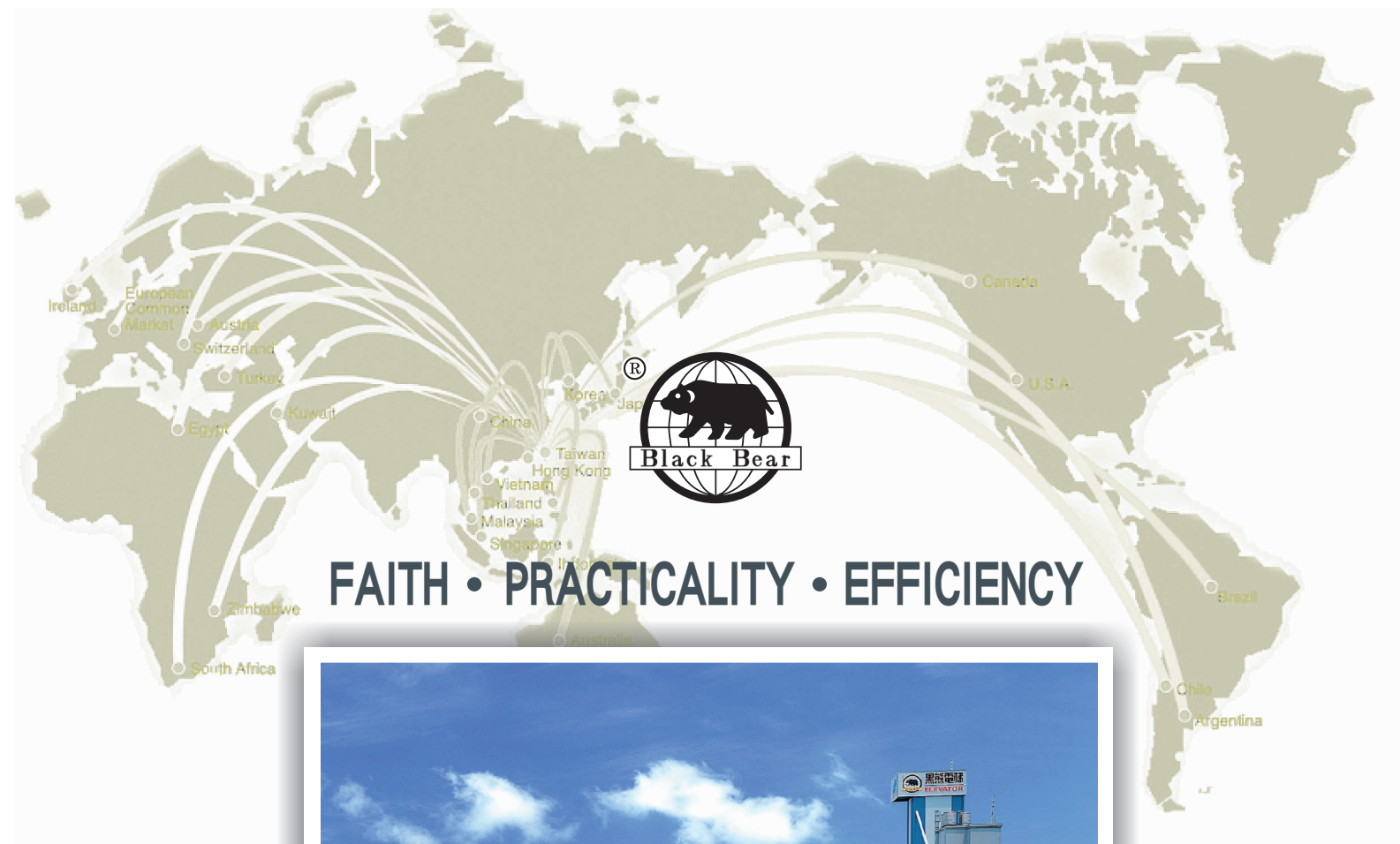
OPERATION CYCLE

Hoist with one speed



Hoist with two speed





FAITH • PRACTICALITY • EFFICIENCY



CHENG DAY MACHINERY WORKS CO.,LTD.

No. 173, Wen Chiu Rd., Dajia Dist., Taichung City 437, Taiwan

Tel: +886-4-2688-1581 Fax: +886-4-2688-1509

Website: www.chengday.com.tw

E-mail: info@chengday.com.tw

- Revision of April, 2014 (Edition No.7) #950168
- No further notice while sizes and dimensions update; Quotations are based on practical dimensions.
- Due to the printing factors, the color of the products is subject to minor deviation from the physical objects.